

**OMEGA CONSTRUCTION EQUIPMENT**

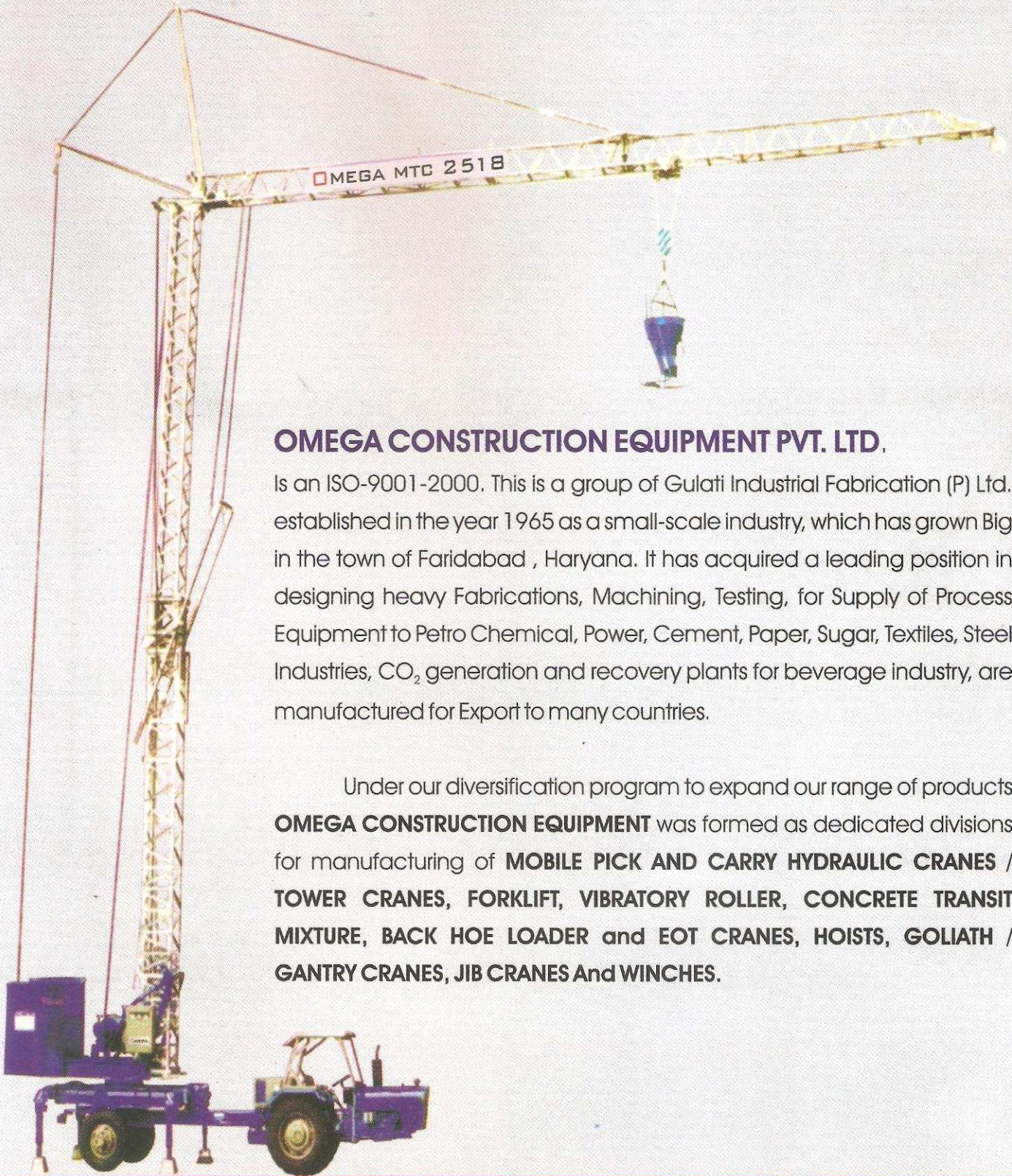


# **MOBILE TOWER CRANES**





# MEGA



## **OMEGA CONSTRUCTION EQUIPMENT PVT. LTD.**

Is an ISO-9001-2000. This is a group of Gulati Industrial Fabrication (P) Ltd. established in the year 1965 as a small-scale industry, which has grown Big in the town of Faridabad , Haryana. It has acquired a leading position in designing heavy Fabrications, Machining, Testing, for Supply of Process Equipment to Petro Chemical, Power, Cement, Paper, Sugar, Textiles, Steel Industries, CO<sub>2</sub> generation and recovery plants for beverage industry, are manufactured for Export to many countries.

Under our diversification program to expand our range of products **OMEGA CONSTRUCTION EQUIPMENT** was formed as dedicated divisions for manufacturing of **MOBILE PICK AND CARRY HYDRAULIC CRANES / TOWER CRANES, FORKLIFT, VIBRATORY ROLLER, CONCRETE TRANSIT MIXTURE, BACK HOE LOADER and EOT CRANES, HOISTS, GOLIATH / GANTRY CRANES, JIB CRANES And WINCHES.**

# MTC 2518 MOBILE TOWER CRANE

MTC-2518 is an all-terrain, self propelled mobile tower crane, with a road speed of 25 km/hr. A differential lock enables it to get out of tough spots.

MTC-2518 is self erecting/ self folding. Operations can be easily affected in a few minutes by a single operator through a remote control pod.

MTC-2518 is remote controlled. It facilitates the operator to position himself in such a way that he can see both picking as well as dumping points for precise load positioning.

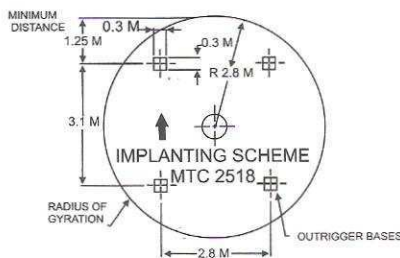
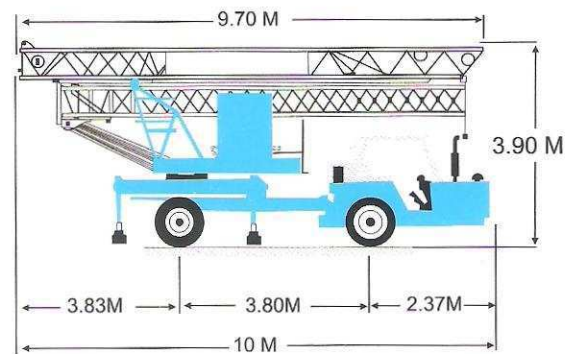
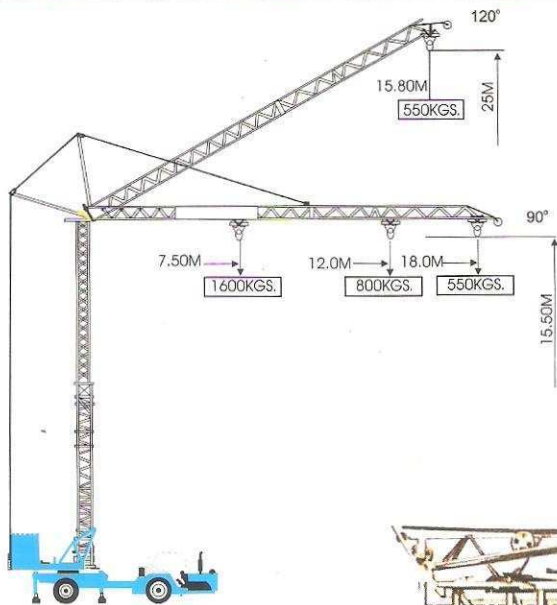
A built in generator, driven by the prime mover's engine makes MTC-2518 totally independent of any outside electric source. The crane only used a part of the power and the generator can be used to supply Other electrical equipment like mixers, vibrators and job site lighting systems.

An articulated chassis and hydraulic steering system enables a very short turning radius and easy positioning.

Stabilizers are out & down types and can be retracted into the lower chassis to satisfy road clearance codes

| Horizontal Jib position  | Raised Jib position   | Speed  | Electrical Motors   | Electrical Supply required | Generator Power development |
|--|---|--|---|----------------------------|-----------------------------|
| Height - 15.5 mtrs.<br>Reach - 7.5 mtrs. 18mtrs.<br>Capacity- 1600 kgs. 550 kgs. | Height - 25 mtrs.<br>Reach - 7.2 mtrs. 18mtrs.<br>Capacity- 1600 kgs. 550 kgs | Trolleying-33m/min.<br>Hoisting-15m/min.&30m/min.<br>Slewing - 1 rpm | Trolleying- 1.0 H.P.<br>Hoisting - 7.5 H.P.<br>Slewing - 1.5 H.P. | 10.25 KVA                  | 20 KVA                      |

| Total wt. with ballast | Total wt. without ballast | Transportation Dimension   | Front axle load | Rear axle load | Safety device  | Variant Model  |
|------------------------|---------------------------|--|-----------------|----------------|--|--|
| 13800 Kgs.             | 8800 Kgs.                 | Width - 2.55 mtrs.<br>Length - 10.9 mtrs.<br>Height - 3.99 mtrs. | 5400 Kgs.       | 8400 Kgs.      | Circuit breakers<br>Overload limit switch<br>Moment limit switch<br>Hoist limit switch<br>Trolley limit switch | MTC-2518 Mounted on a towable trailer without prime mover. |



ALL DIMENSIONS IN METERS ± 5%



# MTC 3725 MOBILE TOWER CRANE

MTC-3725 is a self erecting/ self folding mobile tower crane. Operations can be easily affected by a single operator, through a remote control pod.

The crane is mounted on a towable type trailer with compact dimensions for easy transportation.

MTC-3725 is controlled by a remote. This facilitates the operators to position himself in such a way that he can see both picking as well as dumping point for precise load positioning.

To minimize dead weight for long distance transportation, the counter weight box is designed with trap doors to enable General ballast use as counter weight.

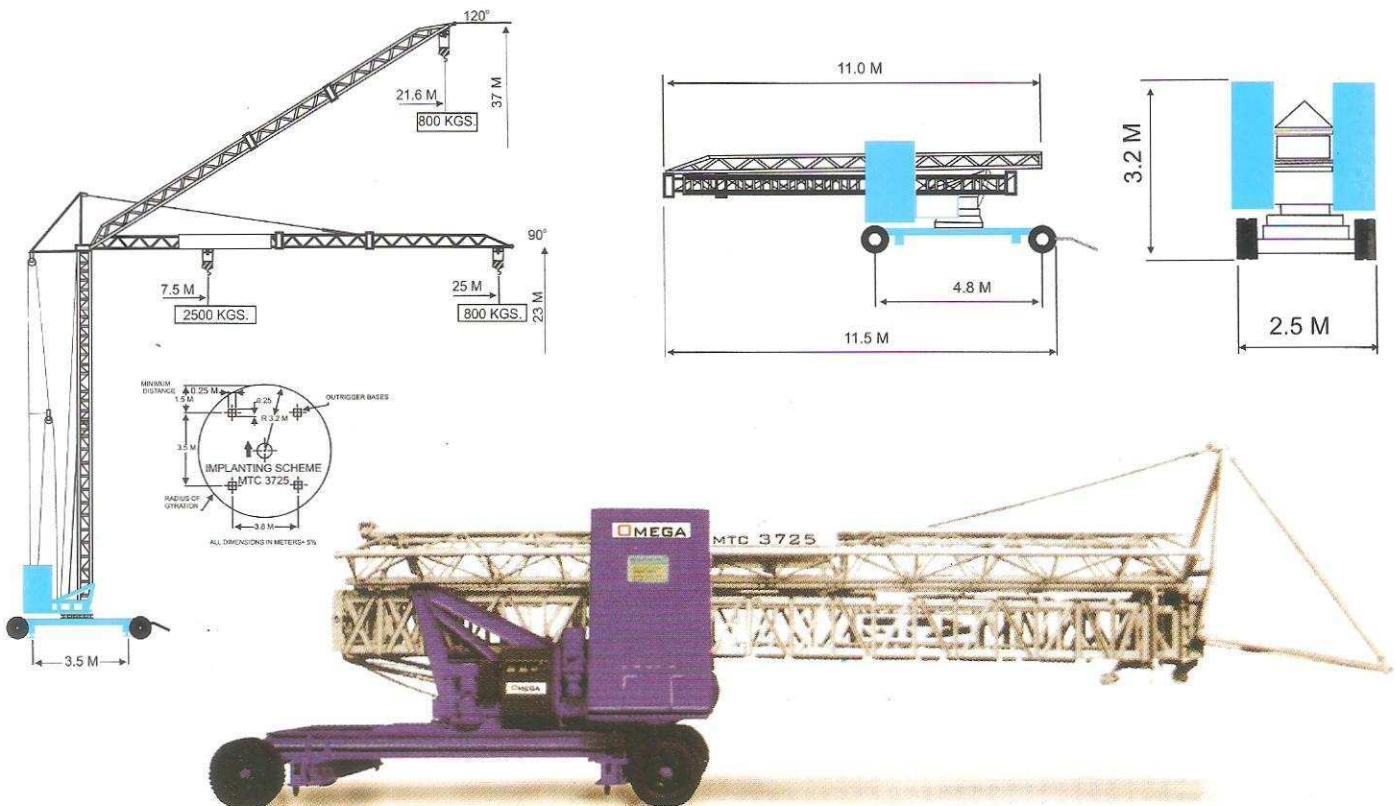
The chassis design enable a short turning radius and easy positioning.

Stabilizers are out and down type and can be reiterated into the lower chassis to satisfy road clearance codes.

An optional prime mover with a built-in 20 KVA generator, makes MTC-3725 totally independent of any outside electric source and a separated carrier vehicle. The crane uses only a part of the power and the generator can be used for Other site equipment like mixers, vibrators and job site lighting systems.

| Horizontal Jib position  | Raised Jib position  | Speed  | Electrical Motors   | Electrical Supply required | Generator Power development |
|--|--|--|---|----------------------------|-----------------------------|
| Height - 23 mtrs.<br>Reach - 7.5 mtrs. 25mtrs.<br>Capacity- 2500 kgs. 850 kgs. | Height - 37 mtrs.<br>Reach - 7.5 mtrs. 25mtrs.<br>Capacity- 2500 kgs. 850 kgs. | Trolleying-33m/min.<br>Hoisting-20m/min.&40m/min.<br>Slewing - 1 rpm | Trolleying- 1.5 H.P.<br>Hoisting - 7.5 H.P.<br>Slewing - 2.0 H.P. | 10.25 KVA                  | 20 KVA                      |

| Total wt. with ballast | Total wt. without ballast | Transportation Dimension                                       | Front axle load | Rear axle load | Safety device   | Variant Model  |
|------------------------|---------------------------|--|-----------------|----------------|---|--|
| 17500 Kgs.             | 10000 Kgs.                | Width - 2.5 mtrs.<br>Length - 11.5 mtrs.<br>Height - 3.2 mtrs. | 7000 Kgs.       | 10500 Kgs.     | AC Drive<br>Circuit breakers<br>Overload limit switch<br>Hoist limit switch<br>Trolley limit switch | MTC-3725 Mounted on a towable trailer without prime mover. |

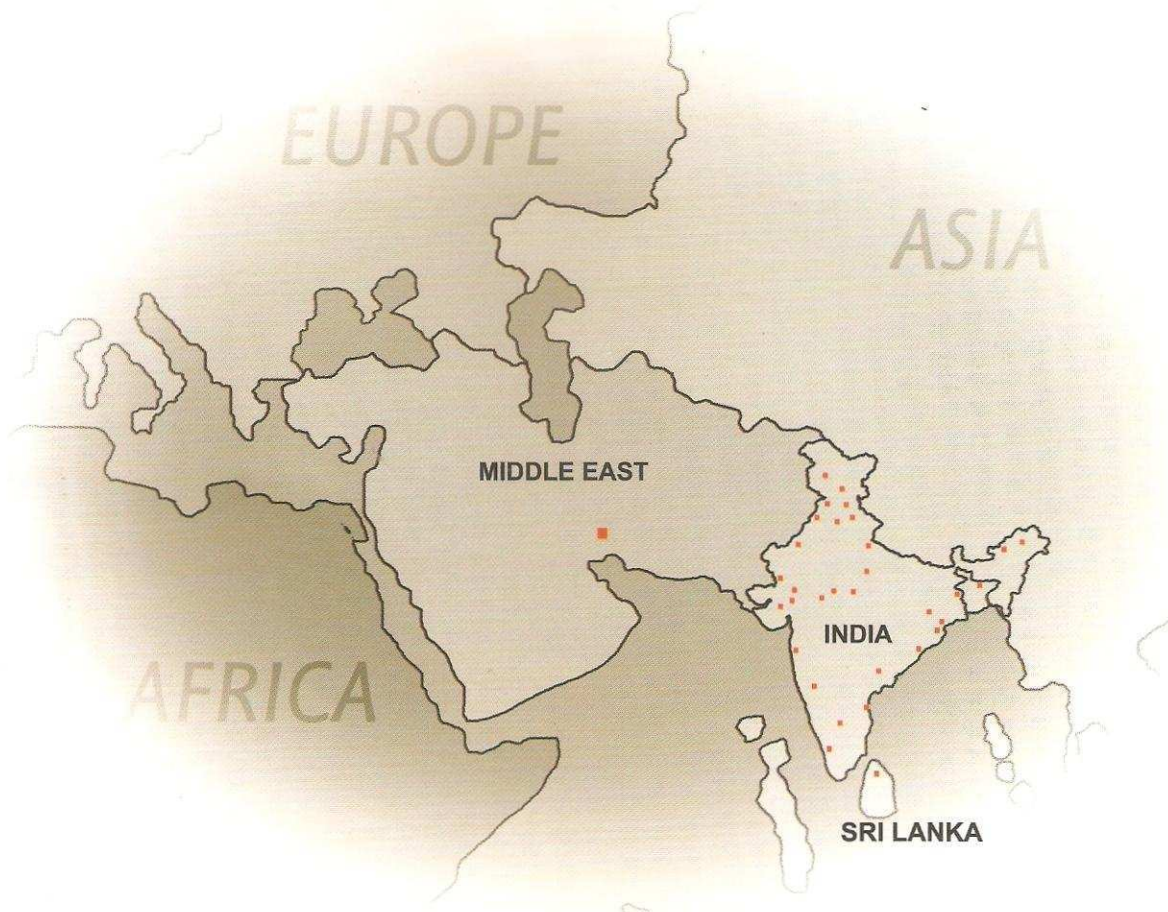




## Dealer Network in India & abroad

## PRODUCT SUPPORT

Omega Construction Equipment Pvt. Ltd. Has Countrywide infrastructure for service & spare parts, through highly dedicated and committed Engineers, In all the major cities in India



**INDIA :** JAMMU, MANDI, CHANDIGARH, LUDHIANA, JAIPUR, DELHI, FARIDABAD, JODHPUR, UTRAKHAD, LUCKNOW, BHOPAL, GUWAHATI, SINGRAULI, AHMEDABAD, BARODA, JABALPUR, SURAT, INDORE, BHILWARA, CUTTACK, KOLKATA, ASSEM, ORRISA BHUBANESHWAR, MUMBAI, VIZAG, PUNE, SECUNDERABAD, CHENNAI, BANGALORE, COCHIN **OVERSEAS :** UAE, SRILANKA



### OMEGA CONSTRUCTION EQUIPMENT PVT. LTD.

Plot No: 262-L, Sector -24, Faridabad-121005,INDIA  
Ph. : 91-129-4296800(100 Lines), 2232141,2230606,2238007  
Fax.: 91-129-4066707 Web.: [www.omega.org.in](http://www.omega.org.in)  
E-mail.: [omega\\_cranes@airtelmail.in](mailto:omega_cranes@airtelmail.in)  
Regd. Office.: 1404,Chiranjiv Tower,43,Nehru Place,  
New Delhi-110019 Ph.: 91-11-26447075,26447076  
Fax.: 91-11-26426647

Dealer

CME #9510471471